

76 000 €

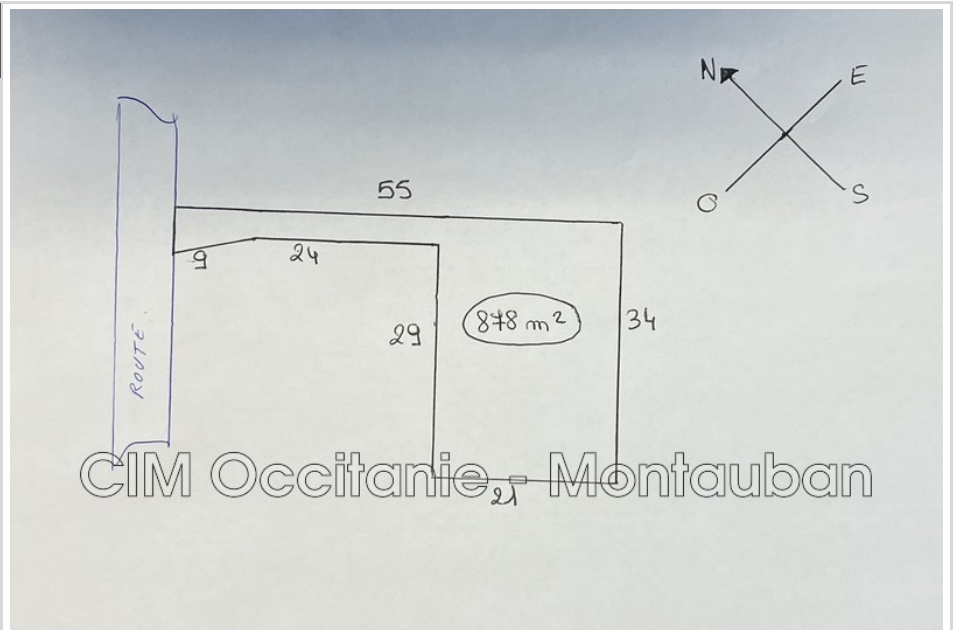
For sale land

Surface : 878 m²

C.o.s. : 176 %

Features :

building land



Land 9897 Montauban

FOR SALE - in Montauban Fonneuve district, building land of 878 m². With a width of 34 m and a depth of 21 m. The authorized footprint is 175 m². This land is flat, not serviced, path made. Water, electricity and sewer connections are at the foot of the land. If you are interested and wish to reserve this land, quickly contact Christian HAMON Commercial Agent, Tel. : 06.62.11.49.84 or by e-mail c.hamon82000@gmail.com. Montauban RSAC number 488 831 058. PRICE: 76,000 EUR HAI Fees are the responsibility of the seller

Legal information

76 000 € fees included

8,57% VAT of fees paid by the buyer (70 000 € without fees), no current procedure, information on the risks to which this property is exposed is available on georisques.gouv.fr

Document non contractuel
20/05/2024 - Prix T.T.C